

SPACELINE60 INSTALLATION GUIDE

SUSPENSION & SURFACE MODULAR LENGTHS

THESE INSTRUCTIONS SHOULD BE READ CAREFULLY PRIOR TO INSTALLATION & KEPT FOR FUTURE REFERENCE IT IS THE INSTALLING CONTACTORS RESPONSIBILITY TO ENSURE A FULLY COMPLIANT AND SAFE INSTALLATION.



SUSPENSION INSTALLATION ASSEMBLY:

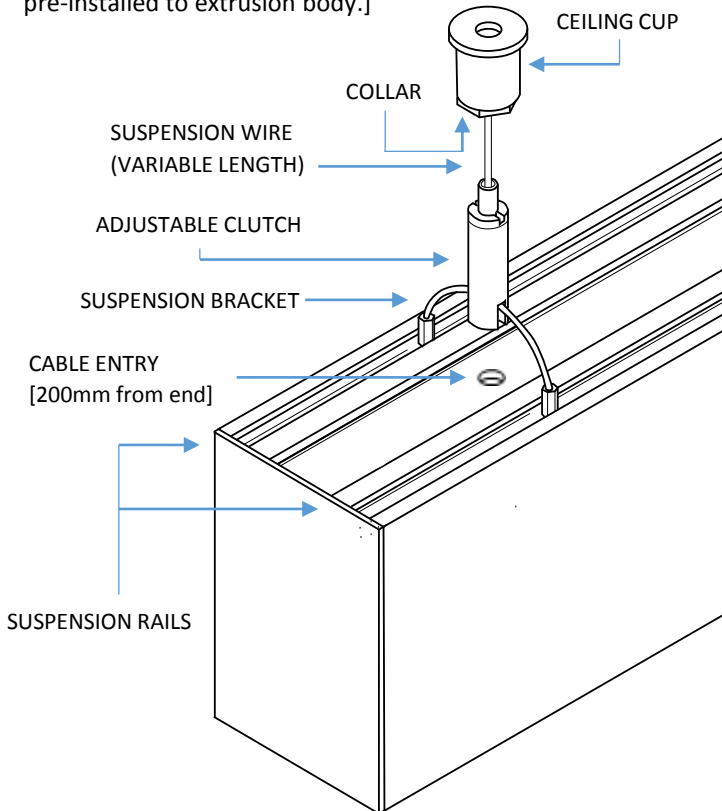
[For Direct and Direct/Indirect bodies]

Screw fix ceiling cup to structural support.

Pass suspension wires through collar and screw into ceiling cup.

Thread suspension wires through adjustable clutch and level at required suspension height.

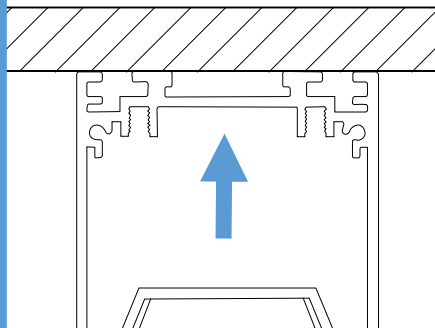
[Adjustable clutch with bracket pre-installed to extrusion body.]



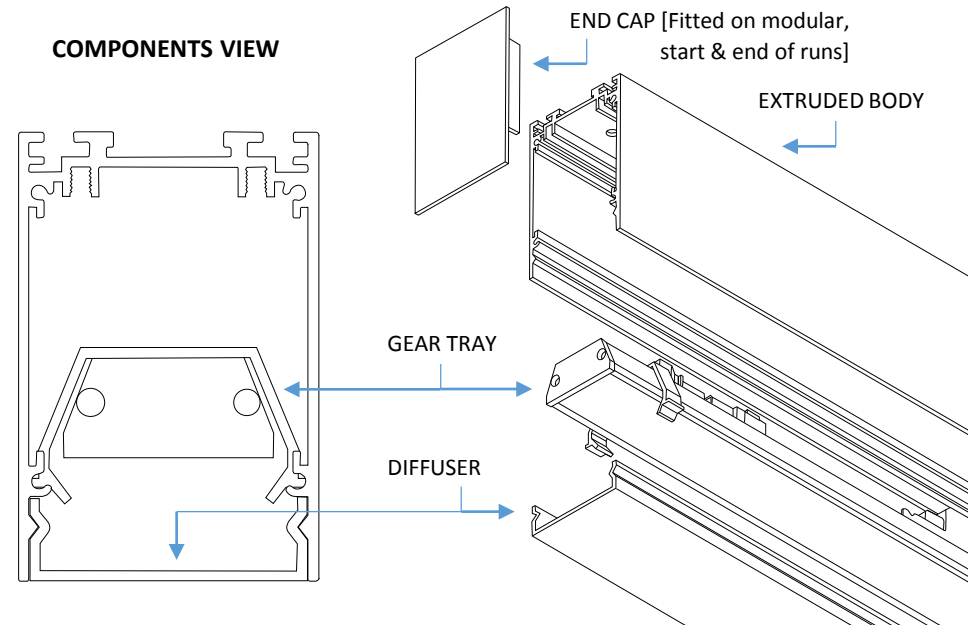
SURFACE INSTALLATION:

Use pre-drilled holes to attach extruded body to ceiling.

[If necessary, drill new hole to accommodate your method of installation]



COMPONENTS VIEW



SPACELINE60 BODY ASSEMBLY:

[Installation must be completed by a competent electrician]

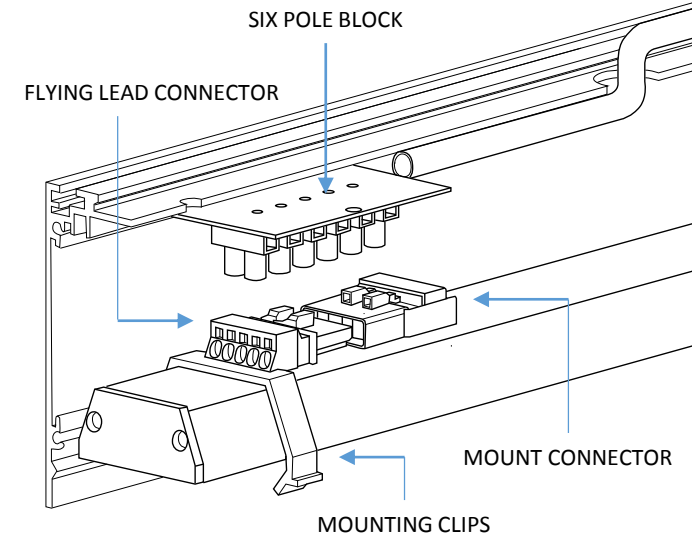
Bring the mains cables through the cable entry and connect to the 6 pole terminal block.

[6 pole plug connector pre-wired to terminal block for gear tray connection.]

Connect flying lead connector to gear tray mount connector.

Install gear tray into extrusion body using safety cords and ensure mounting clips snap into luminaire channels.

Finally, install diffuser into extrusion and press flush with extrusion trim.



SPACELINE60 INSTALLATION GUIDE

CONTINUOUS MODEL

THESE INSTRUCTIONS SHOULD BE READ CAREFULLY PRIOR TO INSTALLATION & KEPT FOR FUTURE REFERENCE IT IS THE INSTALLING CONTACTORS RESPONSIBILITY TO ENSURE A FULLY COMPLIANT AND SAFE INSTALLATION.



BODY INSTALLATION ASSEMBLY:

- 1) Complete the suspended or surface installation for the SOR (Start of Run) body or INT (Intermediate) and ensure that the joining plates are fitted flush/within the body to allow installation of the adjoining section.
- 2) Position second EOR (End of Run) body at end of the SOR or INT body and secure at joining body. Ensure all sections are level.
- 3) Slide joining plates across the join line and tighten all fixing screws to ensure both body ends are aligned and secured together.

START OF RUN or INTERMEDIATE EXTRUSION [1]

END OF RUN EXTRUSION [2]

JOINING PLATES

6 POLE TERMINAL BLOCK (Through Wiring)

MOUNT CONNECTOR

FLYING LEAD CONNECTOR

END OF RUN or INTERMEDIATE GEAR TRAY [2]

THROUGH WIRING

WIRING ASSEMBLY:

[Installation must be completed by a competent electrician]

- 1) Connect mains lead to the start of run extrusion terminal.
- 2) Connect through wiring leads to 6 pole terminal block in a joining section.
- 3) Connect flying lead plug from the 6 pole terminal block to the next gear tray mount socket, then install gear tray into next luminaire body, using safety cords.
- 4) Finally, install diffusers into extrusion and press flush against trim.

MOUNTING CLIPS

START OF RUN GEAR TRAY [1]