

ALULINE60 INSTALLATION GUIDE

PLASTER-IN MODEL

THESE INSTRUCTIONS SHOULD BE READ CAREFULLY PRIOR TO INSTALLATION & KEPT FOR FUTURE REFERENCE. IT IS THE INSTALLING CONTACTORS RESPONSIBILITY TO ENSURE A FULLY COMPLIANT AND SAFE INSTALLATION.



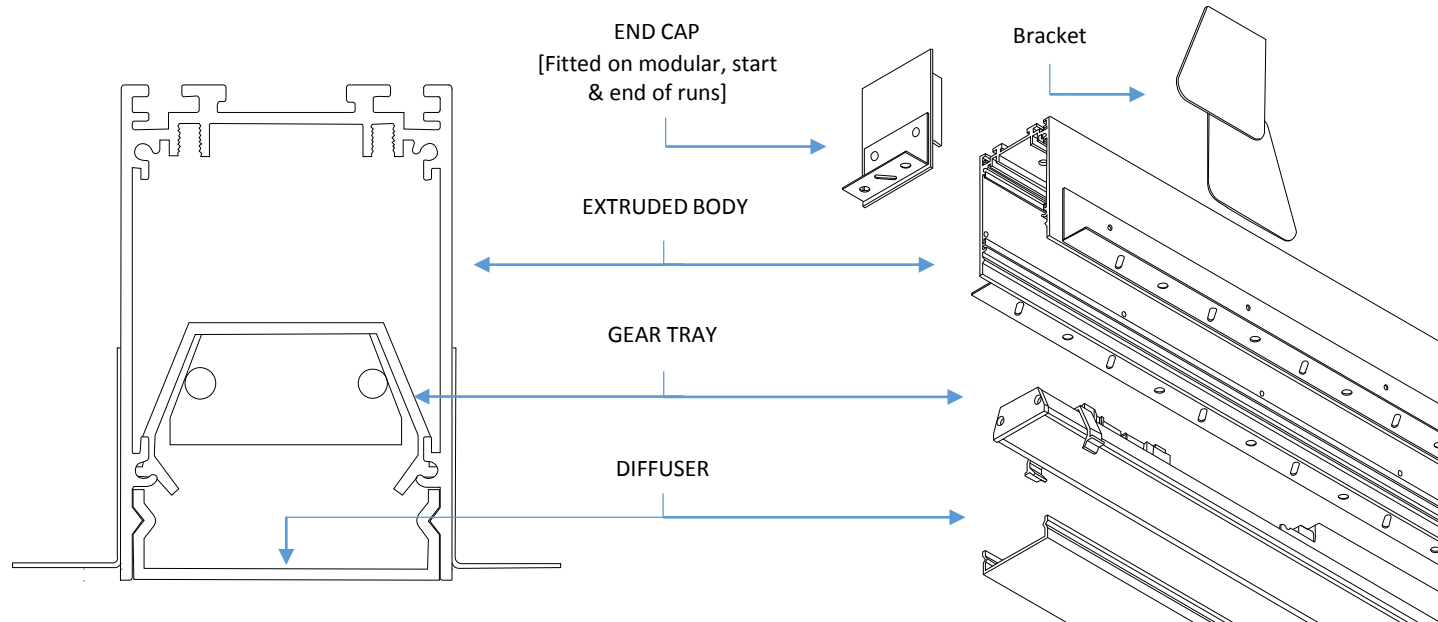
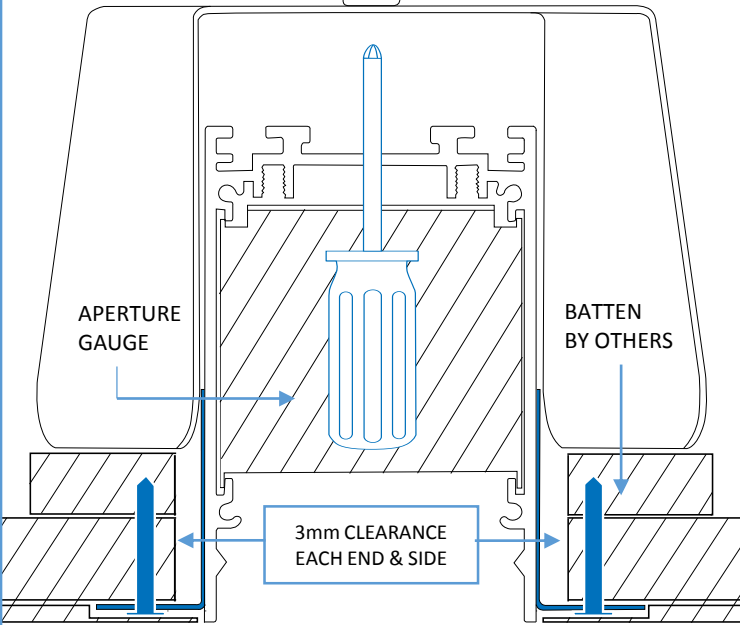
RECESSED INSTALLATION ASSEMBLY:

The main body comes fitted with an aperture gauge. This must remain in place until the body is fully installed. Failure to utilise aperture may result in poorly fitting diffusers.

With the bracket parallel to the extruded body, insert the body through the ceiling cut-out (O/A + 6mm) and hold firmly in place.

Using a screwdriver tighten the bracket to secure the fitting in the ceiling.

After applying the plaster to the ceiling and the body is safely secured to the ceiling, remove the aperture gauge. The gear tray and diffuser can now be installed.



ALULINE60 BODY ASSEMBLY:

[Installation must be completed by a competent electrician]

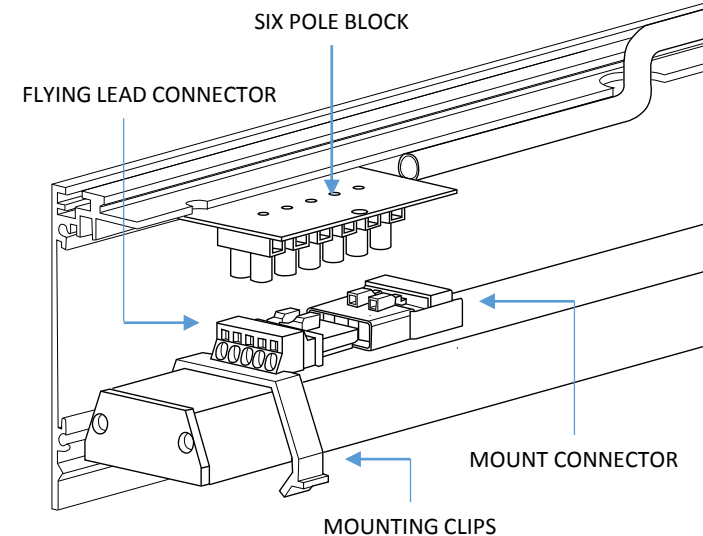
Bring the mains cables through the cable entry and connect to the 6 pole terminal block.

[6 pole plug connector pre-wired to terminal block for gear tray connection.]

Connect flying lead plug to gear tray mount connector.

Install gear tray into extrusion body using safety cords and ensure mounting clips snap into luminaire channels.

Finally, install diffuser into extrusion and press flush with extrusion trim.



ALULINE60 INSTALLATION GUIDE

CONTINUOUS PLASTER-IN MODEL

THESE INSTRUCTIONS SHOULD BE READ CAREFULLY PRIOR TO INSTALLATION & KEPT FOR FUTURE REFERENCE. IT IS THE INSTALLING CONTACTORS RESPONSIBILITY TO ENSURE A FULLY COMPLIANT AND SAFE INSTALLATION.



BODY INSTALLATION ASSEMBLY:

- 1) Complete the suspended or surface installation for the SOR (Start of Run) body or INT (Intermediate) and ensure that the joining plates are fitted flush/within the body to allow installation of the adjoining section.
- 2) Position second EOR (End of Run) body at end of the SOR or INT body and secure at joining body. Ensure all sections are level.
- 3) Slide joining plates across the join line and tighten all fixing screws to ensure both body ends are aligned and secured together.
- 4) After applying the plaster to the ceiling and the body is safely secured to the ceiling, remove all aperture gauge brackets before installing gear trays & diffusers.

START OF RUN or INTERMEDIATE EXTRUSION [1]

END OF RUN EXTRUSION [2]

JOINING PLATES

6 POLE TERMINAL BLOCK (Through Wiring)

MOUNT CONNECTOR

FLYING LEAD

END OF RUN or INTERMEDIATE GEAR TRAY [2]

THROUGH WIRING

WIRING ASSEMBLY:

[Installation must be completed by a competent electrician]

- 1) Connect mains lead to the start of run extrusion terminal.
- 2) Connect through wiring leads to 6 pole terminal block in a joining section.
- 3) Connect flying lead plug from the 6 pole terminal block to the next gear tray mount socket, then install gear tray into next luminaire body, using safety cords.
- 4) Finally, install diffusers into extrusion and press flush against trim.

MOUNTING CLIPS

START OF RUN GEAR TRAY [1]

ALULINE60 INSTALLATION GUIDE

TRIMMED MODEL

THESE INSTRUCTIONS SHOULD BE READ CAREFULLY PRIOR TO INSTALLATION & KEPT FOR FUTURE REFERENCE. IT IS THE INSTALLING CONTACTORS RESPONSIBILITY TO ENSURE A FULLY COMPLIANT AND SAFE INSTALLATION.



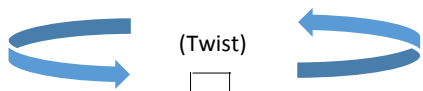
RECESSED INSTALLATION ASSEMBLY:

The main body comes fitted with an aperture gauge. This must remain in place until the body is fully installed. Failure to utilise aperture may result in poorly fitting diffusers.

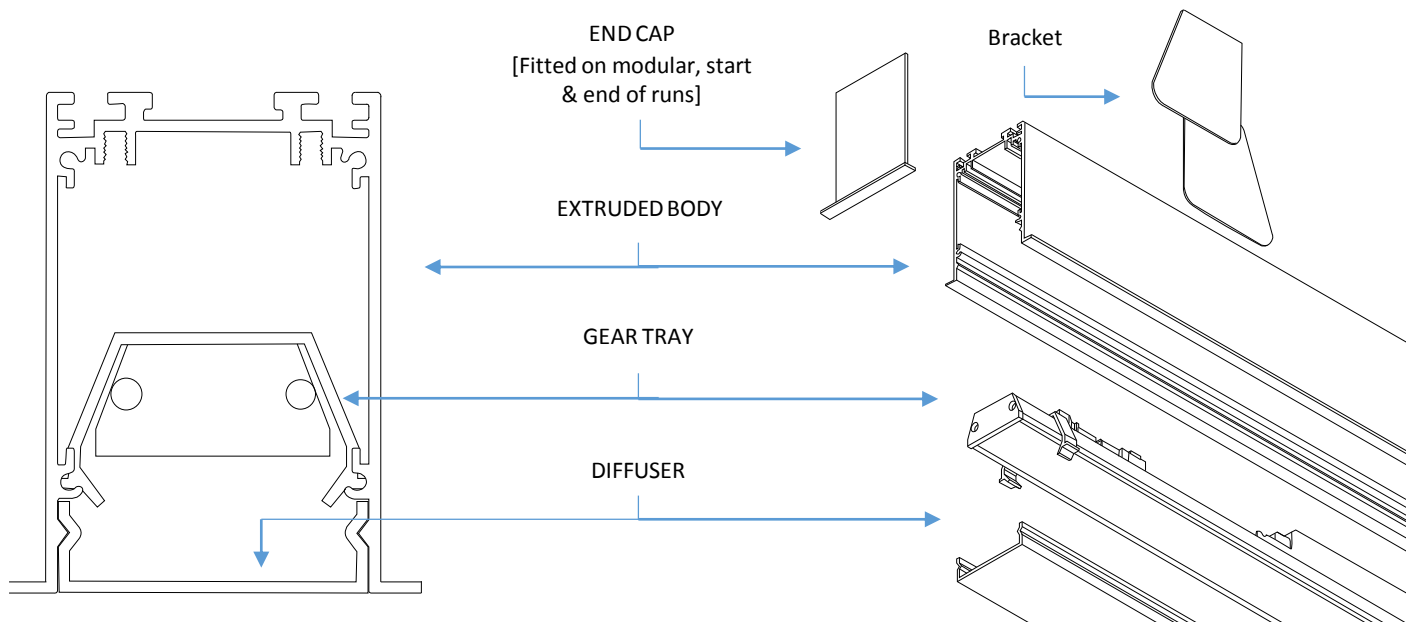
With the bracket parallel to the extruded body, insert the body through the ceiling cut-out (O/A + 4mm) and hold firmly in place.

Using a screwdriver tighten the bracket to secure the fitting in the ceiling.

When the body is safely secured to the ceiling, remove the aperture gauge. The gear tray and diffuser can now be installed.



(Twist)



ALULINE60 BODY ASSEMBLY:

[Installation must be completed by a competent electrician]

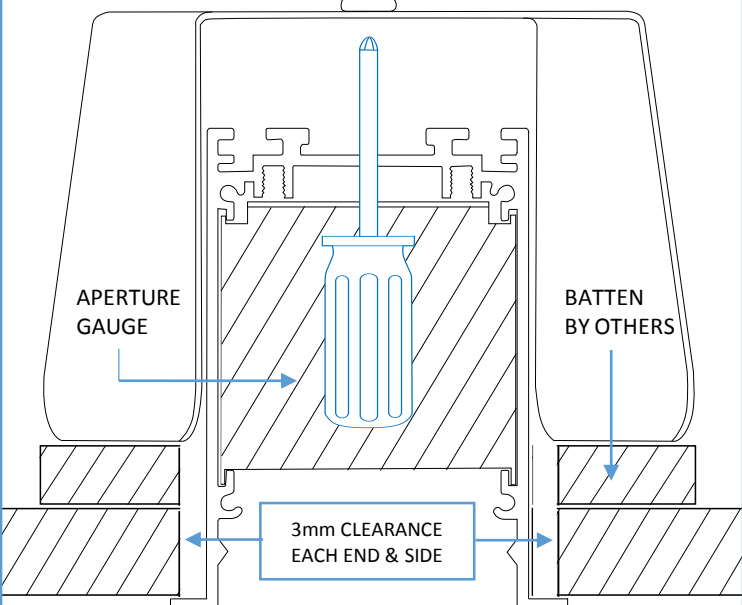
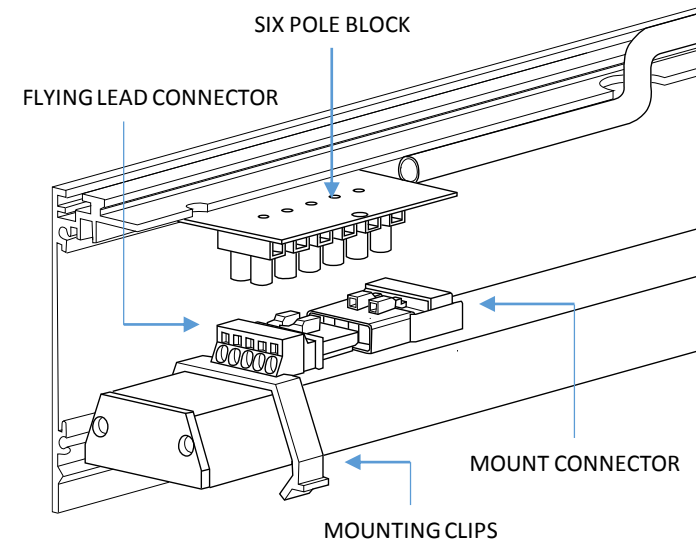
Bring the mains cables through the cable entry and connect to the 6 pole terminal block.

[6 pole plug connector pre-wired to terminal block for gear tray connection.]

Connect flying lead connector to gear tray mount connector.

Install gear tray into extrusion body using safety cords and ensure mounting clips snap into luminaire channels.

Finally, install diffuser into extrusion and press flush with extrusion trim.



ALULINE60 INSTALLATION GUIDE

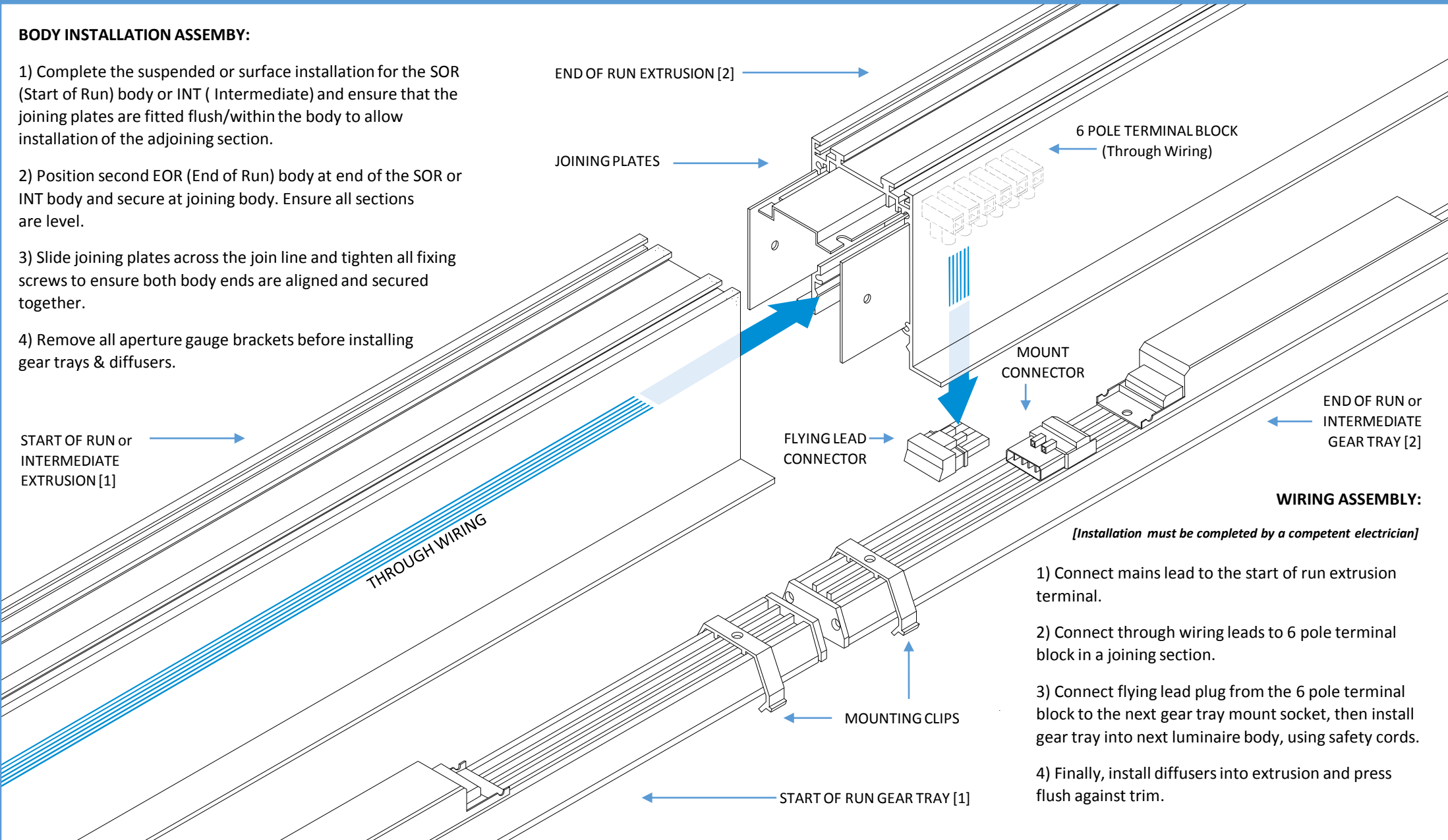
CONTINUOUS TRIMMED MODEL

THESE INSTRUCTIONS SHOULD BE READ CAREFULLY PRIOR TO INSTALLATION & KEPT FOR FUTURE REFERENCE. IT IS THE INSTALLING CONTACTORS RESPONSIBILITY TO ENSURE A FULLY COMPLIANT AND SAFE INSTALLATION.



BODY INSTALLATION ASSEMBLY:

- 1) Complete the suspended or surface installation for the SOR (Start of Run) body or INT (Intermediate) and ensure that the joining plates are fitted flush/within the body to allow installation of the adjoining section.
- 2) Position second EOR (End of Run) body at end of the SOR or INT body and secure at joining body. Ensure all sections are level.
- 3) Slide joining plates across the join line and tighten all fixing screws to ensure both body ends are aligned and secured together.
- 4) Remove all aperture gauge brackets before installing gear trays & diffusers.



WIRING ASSEMBLY:

[Installation must be completed by a competent electrician]

- 1) Connect mains lead to the start of run extrusion terminal.
- 2) Connect through wiring leads to 6 pole terminal block in a joining section.
- 3) Connect flying lead plug from the 6 pole terminal block to the next gear tray mount socket, then install gear tray into next luminaire body, using safety cords.
- 4) Finally, install diffusers into extrusion and press flush against trim.