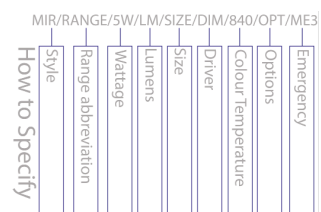
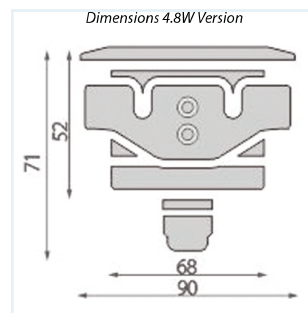




- A range of high efficiency, low maintenance, reliable luminaires for in-ground applications.
Sealed to IP68 and suitable for exterior, bathrooms, kitchens and garden applications.

- Providing a range of lumen outputs from 140lm-1100lm
 - Colour Temperature: 3000k - 4000k
 - Anodized aluminium
 - Rated IP68
 - 8mm tempered glass lens
 - Stainless steel bezel as standard
 - Supplied complete with remote LED driver
 - 2000kg walk over static load
 - Available in 15, 40 and 60 degree beam angles (/15D/40D/60D)
 - Recessing box available
 - Contact technical for further information on recessing box
- Available in clear glass or frosted glass (/CL/FG)

Product	MI/AQU In-ground IP68 LED Luminaire		
Lamp	LED		
Lamp Power	/2W 140lm	/4.8W 420lm	/11.5W 1100lm
Size	Ø55 x 84mm	Ø90 x 71mm	Ø90 x 100mm
Driver	/STD Non Dimming		
Colour Temperature	/830 3000k		/840 4000k
Glass Options	/CL Clear Glass		/FG Frosted Glass
Beam Options	/15D 15 Degree	/40D 40 Degree	/60D 60 Degree
To Specify: AQUILA LED, 11W, 1100lm, 4000k, LED in-ground finished anodized aluminium supplied complete with remote control gear, clear glass and a 60 degree beam angle. Part code: MI/AQU/11W/1100lm/STD/840/CL/60D			



Exterior